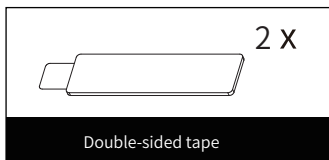
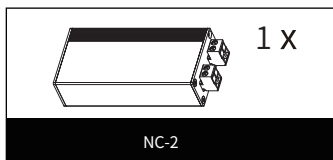


Unpacking

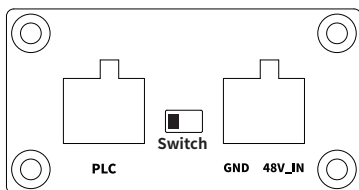
Before you begin using the device, please check the version you got and ensure that the following items are included in the shipped box:



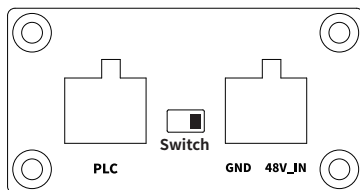
Mode Selection

To ensure proper using, please set the device in correct mode:

- If only NC-2 is used, set one NC-2 as the power supplier in **Master mode**.
- If NC-2 is used with NS-2, set NC-2 in **Slave mode**.



Master mode: Toggle switch to left.

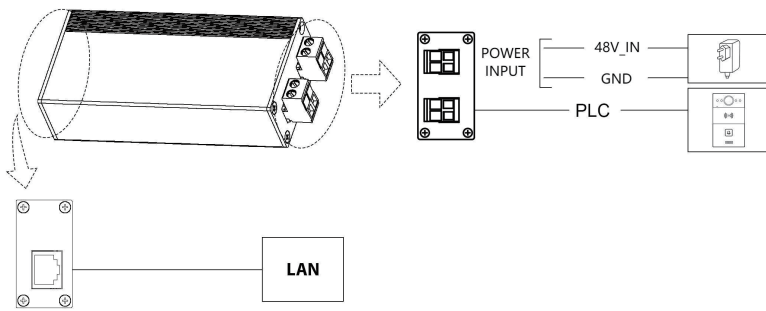


Slave mode: Toggle switch to right.

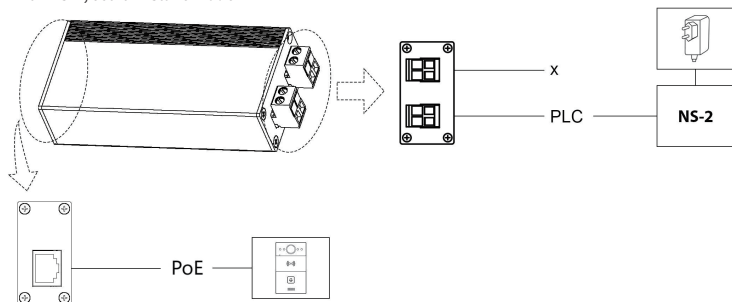
Device Wiring

To ensure proper using, please set the device in correct mode:

- When only using NC-2, set it in Master Mode



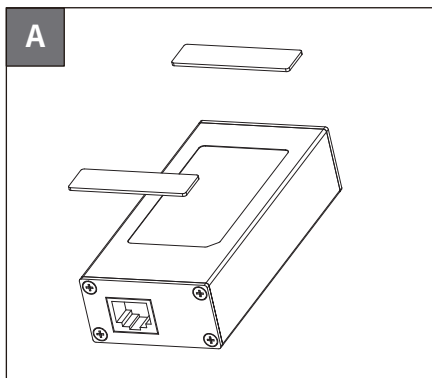
- Using NC-2 with NS-2, set it in Slave Mode



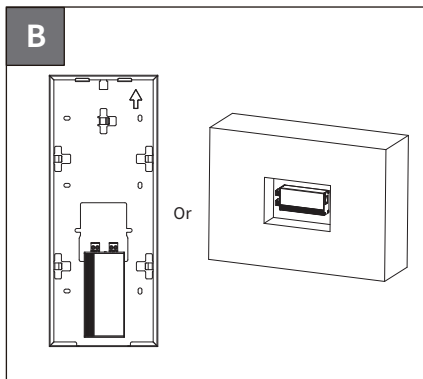
Wire Recommendation

Adapter Voltage	Cable Model	Farthest Distance (The distance between power adapter and door phone)
48V	24awg	50m
	20awg	150m
	18awg	250m

Device Mounting



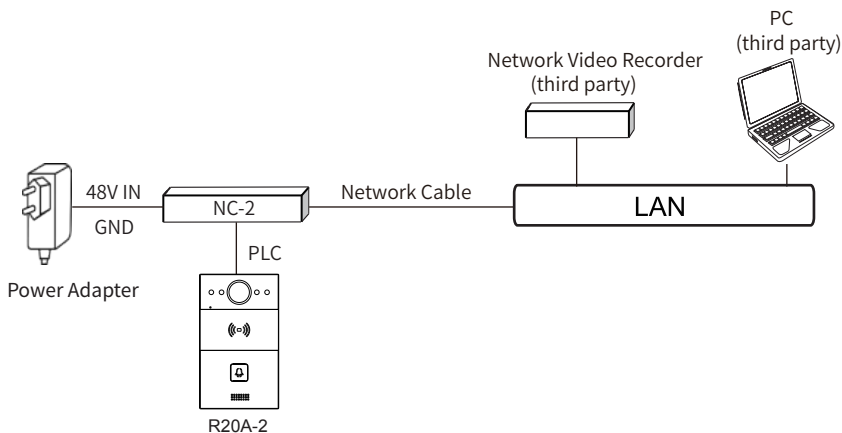
Stick two double-sided tapes on the back of device.



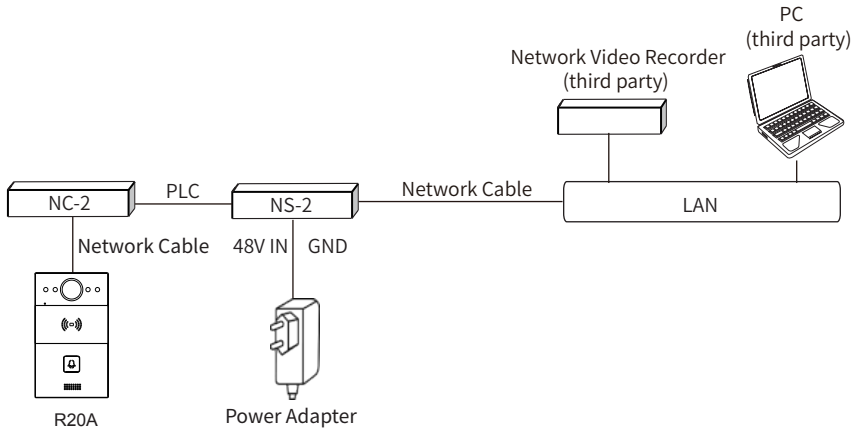
Stick the device onto mounting box of door phone or wall.
The installation is done.

Application Network Topology

Topology-1: connect with 2 wire IP device (set NC-2 in Master Mode)



Topology-2: connect with IP device (set NC-2 in Slave Mode)



Get Help

For help or more assistance, contact us at:

 <https://ticket.akuvox.com/>

 support@akuvox.com

Scan the QR code to get more videos, guides, and additional product information.



Notice Information

Information contained in this document is believed to be accurate and reliable at the time of printing. This document is subject to change without notice, any update to this document can be viewed on Akuvox' s website:

<http://www.akuvox.com> © Copyright 2023 Akuvox Ltd. All rights reserved.

